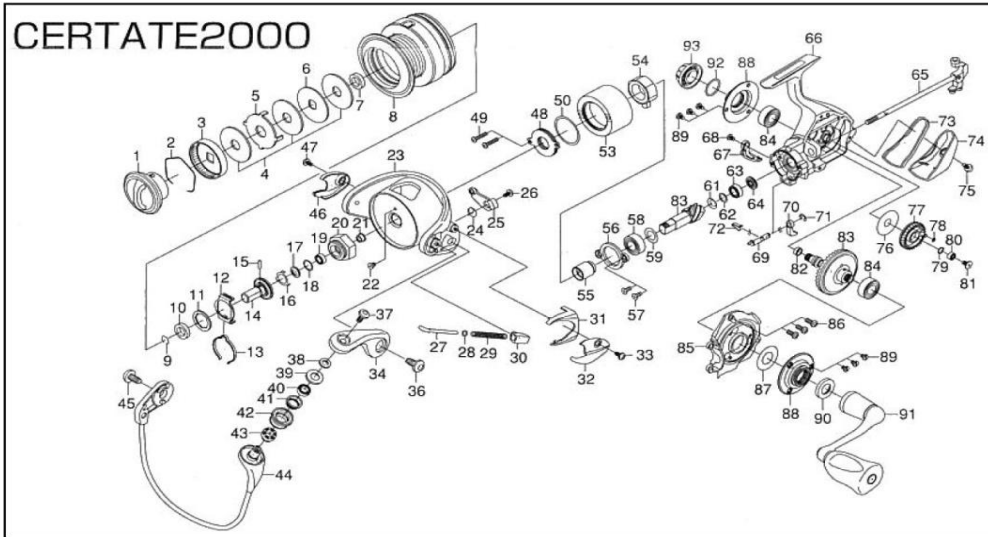


10 CERTATE 2000



KEY NO.	PART NO.	PART DESCRIPTION	KEY NO.	PART NO.	PART DESCRIPTION
1	6H445701	DRAG KNOB	47	6H431301	SCREW
2	6F742501	DRAG RETAINER	48	6H532601	MAGNET ASSEMBLY
3	6F908701	CLICK PLATE	49	6H413201	SCREW
4	6F635001	DRAG WASHER	50	6H413001	O RING
5	6F635201	EARED WASHER	53	6H519301	CAP
6	6F635101	KEY WASHER	54	6H412601	ROLLER CLUTCH
7	6H416301	COLLAR	55	6H412501	SPACING SLEEVE
8	6H479501	SPOOL ASSEMBLY	56	6H411501	BEARING PLATE
9	6G472401	RETAINER	57	6E134501	SCREW
10	6H416301	SPOOL METAL COLLAR	58	6G535101	BEARING
11	6H416201	SPOOL WASHER	59	6H411401	BEARING WASHER
12	6H416001	CLICK HOLDER	61	6H411301	SPRING WASHER
13	6H416101	CLICK LEAF SPRING	62	6E096501	WASHER
14	6H415901	SPOOL METAL	63	6G538001	BEARING
15	6G375001	PIN	64	6H411201	PINION COLLAR
16	6H415801	NUT PLATE	65	6H478701	MAIN SHAFT
17	6H415701	PACKING	66	6H409801	BODY
18	6G466103	WASHER	67	6H479101	BAIL KICK COLLAR
19	6G466201	BEARING	68	6H455401	SCREW
20	6H444501	ROTOR NUT	69	6H410001	STOPPER CAM
21	6H415501	COLLAR	70	6H410101	STOPPER LEVER
22	6H022701	SCREW	71	6B339801	RETAINER
23	6H443201	ROTOR	72	6H410201	CAM LEAF SPRING
24	6H443301	KICK LEVER SPRING	73	6H413301	REAR CAP PACKING
25	6H443401	KICK LEVER	74	6H413401	REAR COVER
26	6H417701	SCREW	75	6H512401	SCREW
27	6H443601	SHAFT	76	6H410301	WASHER
28	6H576101	PLATE	77	6H478601	OSC. GEAR
29	6H442401	SPRING	78	6G683301	O RING
30	6H414301	HOLDER	79	6H129200	WASHER
31	6H443701	COVER (A)	80	6G469002	BEARING
32	6H443801	COVER (B)	81	6G940402	SCREW
33	6H431301	SCREW	82	6H455601	DRIVE GEAR RING
34	6H414401	BAIL ARM	83	6Z019685	GEAR SET
36	6H431201	SCREW	84	6G467302	BEARING
37	6H431401	ROLLER SCREW	85	6H412301	BODY COVER
38	6H415401	COLLAR (A)	86	6H431001	SCREW
39	6H038301	PACKING	87	6H412401	WASHER
40	6H686902	LINE ROLLER BEARING	88	6H412102	COVER
41	6H415301	COLLAR (B)	89	6F623305	SCREW
42	6G686701	LINE ROLLER	90	6H417101	HANDLE PACKING
43	6H415201	COLLAR (A)	91	6H479201	HANDLE ASSEMBLY
44	6H443901	BAIL WIRE	92	6G806001	O RING
45	6H431201	SCREW	93	6H417201	HANDLE SCREW CAP
46	6H444301	COVER			